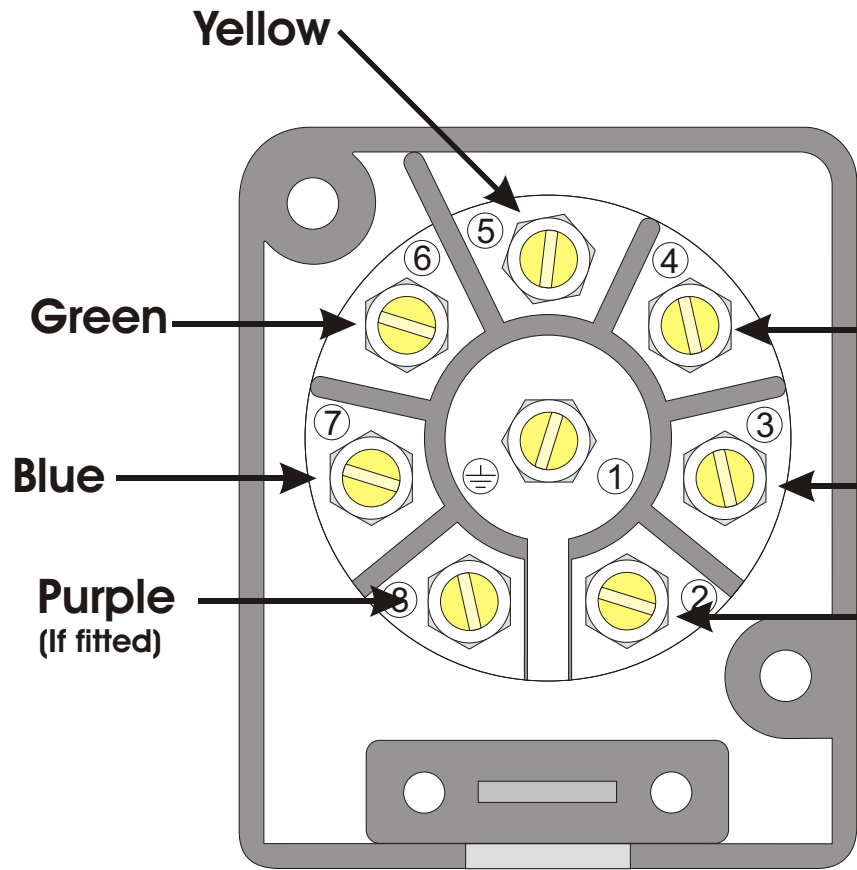


Pennine Radio Limited
 82 Fitzwilliam St, Huddersfield, HD1 5BE - UK
 www.prl.co.uk - 01484 538211

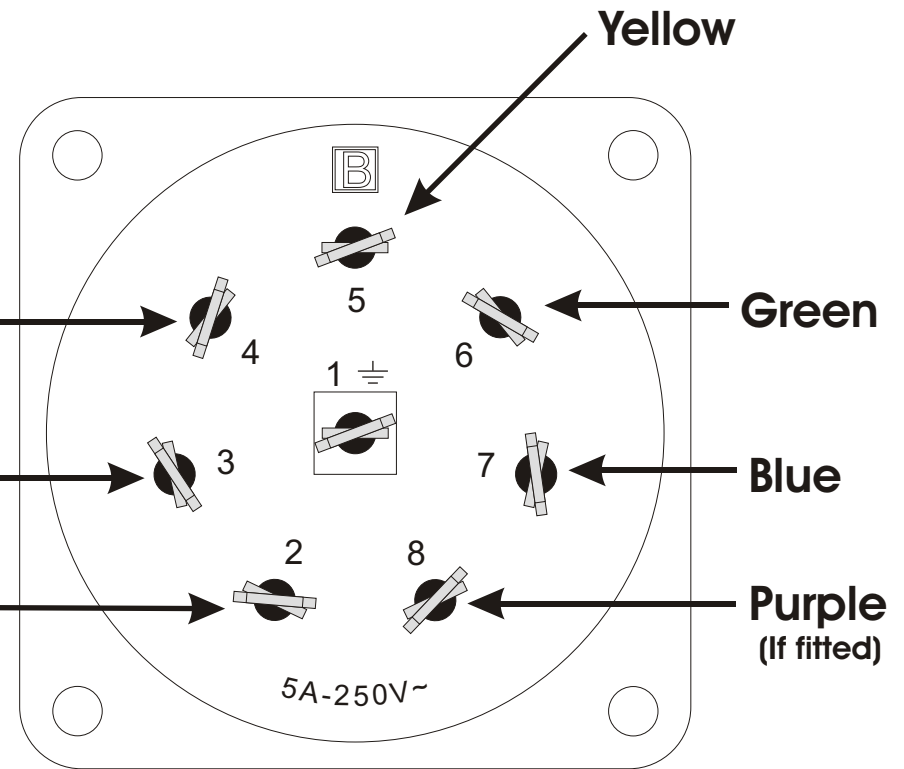
Golf Cart Main Wiring Diagram

© Copyright Mar 5 2004
 All rights reserved

Drawn By:
 N C H Beaumont



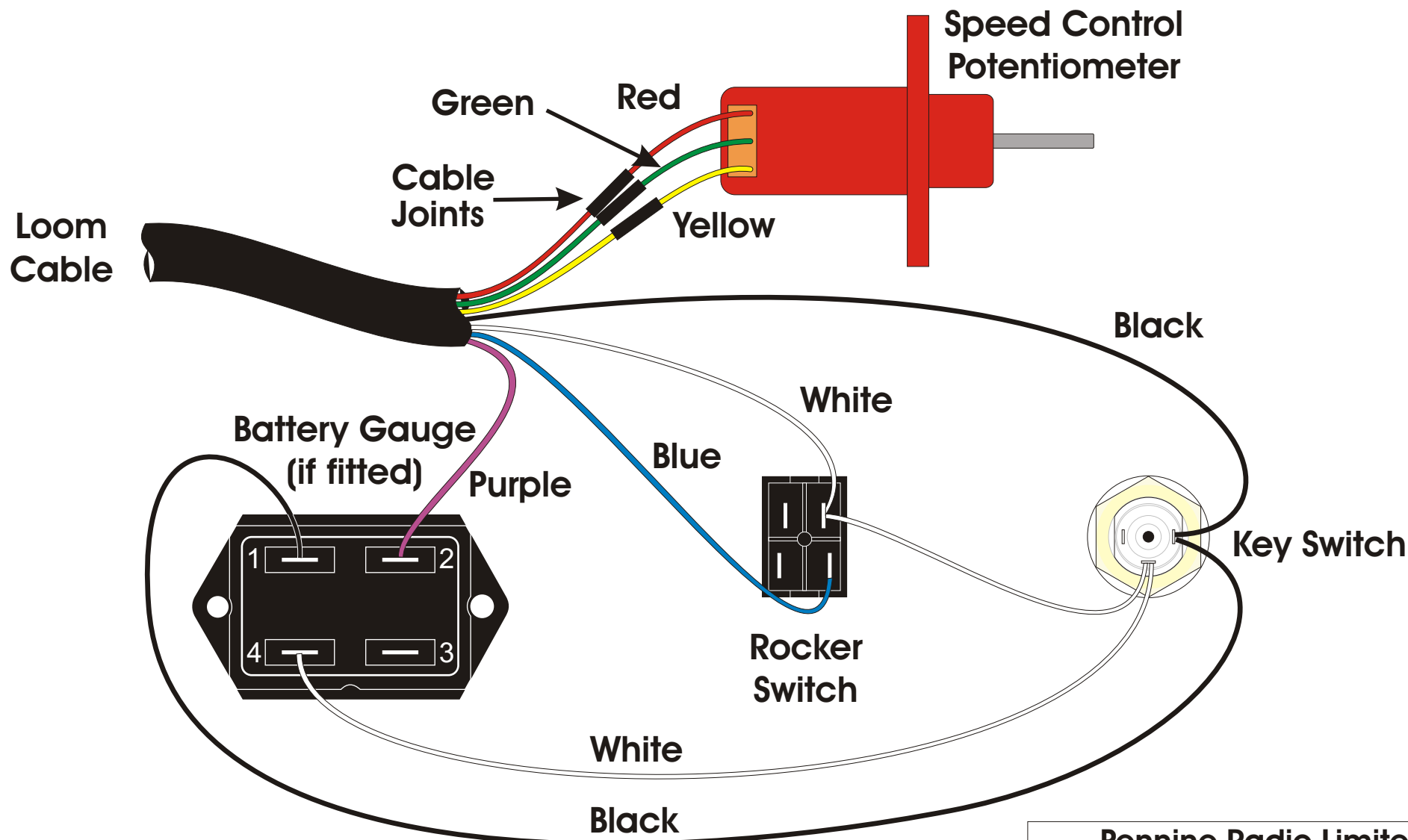
Loom Plug
(Viewed on the screw connectors)



Fork Socket
(Viewed on the soldered end of the pins)

Modified 3/Mar/04

Pennine Radio Limited	
82 Fitzwilliam St, Huddersfield, HD1 5BE - UK www.prl.co.uk - 01484 538211	
Golf Cart Controller 8 pin Plug & Loom Socket	
© Copyright Feb 9 2004 All rights reserved	Drawn By: N C H Beaumont

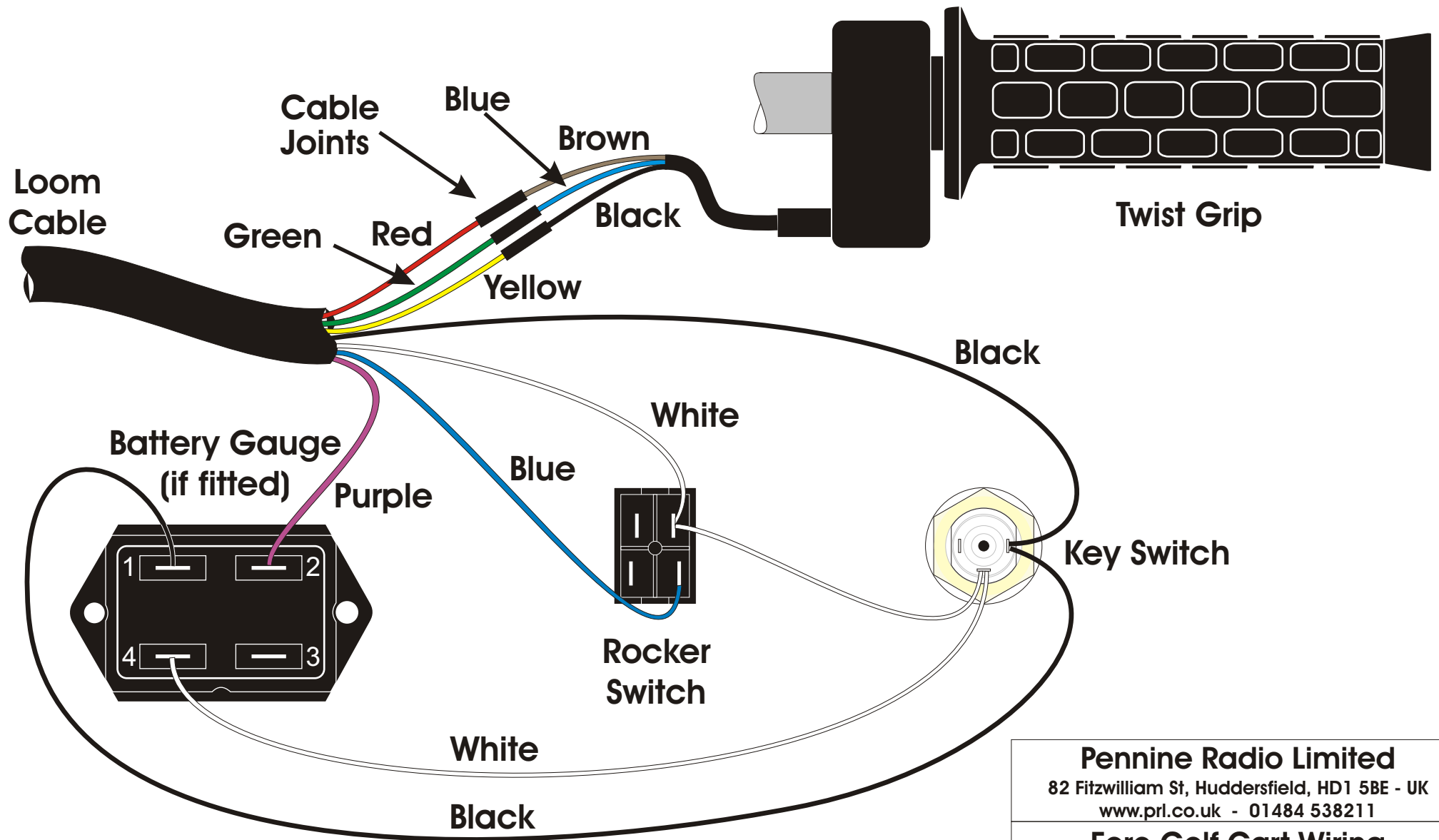


Pennine Radio Limited
 82 Fitzwilliam St, Huddersfield, HD1 5BE - UK
 www.prl.co.uk - 01484 538211

**Driver Golf Cart Wiring
 Diagram for Hand Controller**

© Copyright Mar 5 2004
 All rights reserved

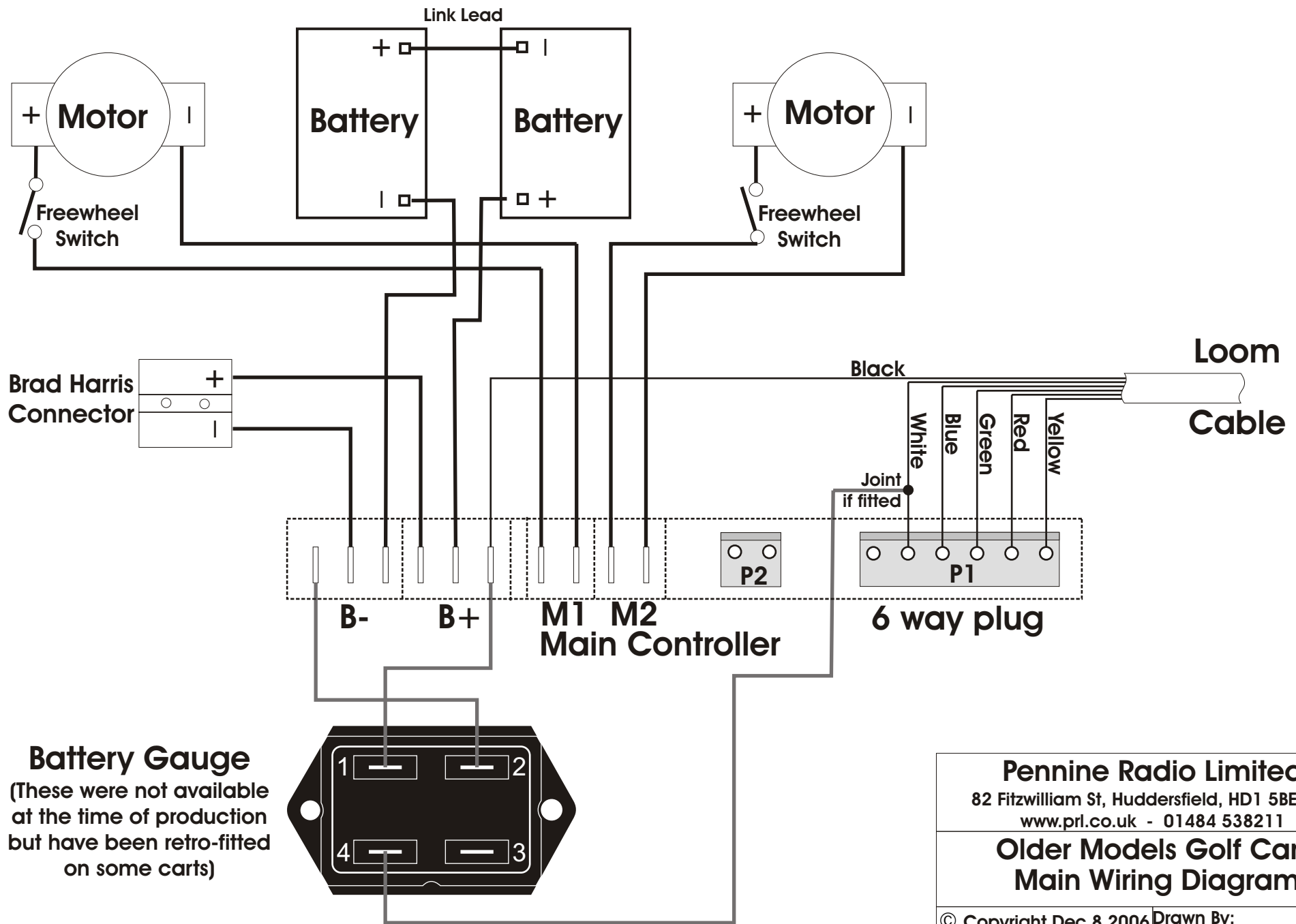
Drawn By:
 N C H Beaumont



Pennine Radio Limited
 82 Fitzwilliam St, Huddersfield, HD1 5BE - UK
 www.prl.co.uk - 01484 538211

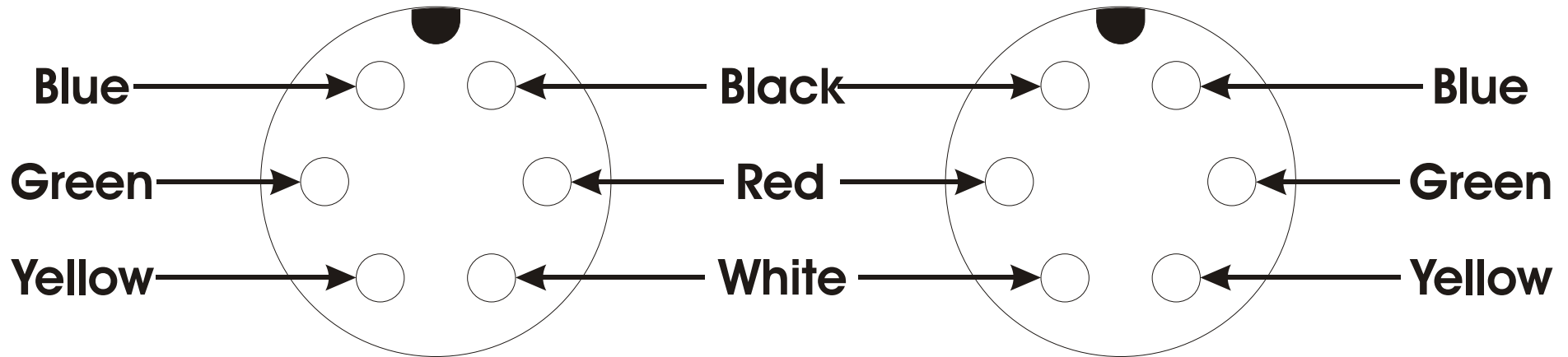
**Fore Golf Cart Wiring
 Diagram for Hand Controller**

© Copyright Mar 5 2004 Drawn By:
 All rights reserved N C H Beaumont



Battery Gauge
 (These were not available at the time of production but have been retro-fitted on some carts)

<p>Pennine Radio Limited 82 Fitzwilliam St, Huddersfield, HD1 5BE - UK www.prl.co.uk - 01484 538211</p>	
<p>Older Models Golf Cart Main Wiring Diagram</p>	
<p>© Copyright Dec 8 2006 All rights reserved</p>	<p>Drawn By: N C H Beaumont</p>



Hand Controller Plug

(Viewed on the soldered end of the pins)

Loom Socket

(Viewed on the soldered end of the pins)

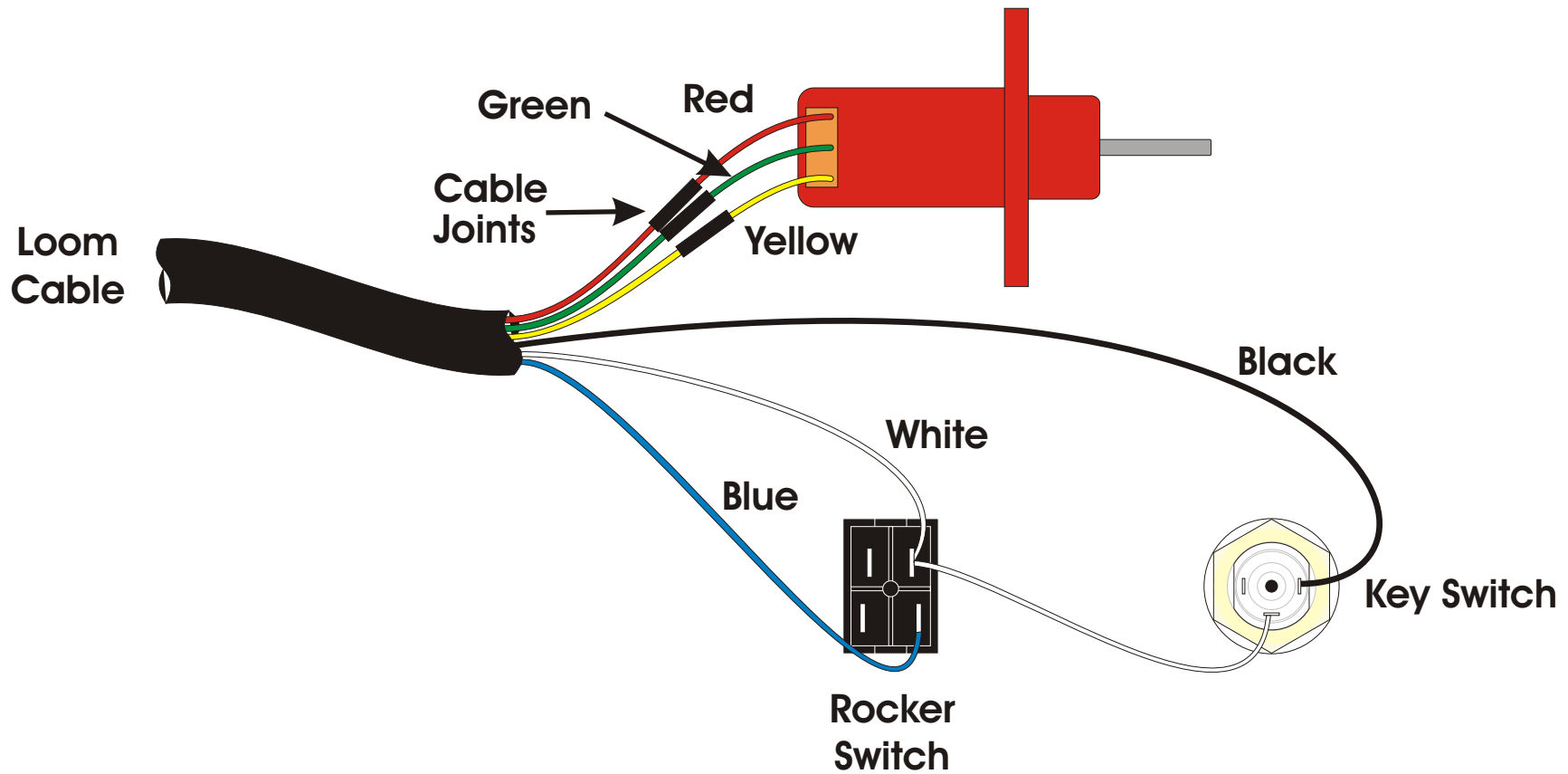
Pennine Radio Limited

82 Fitzwilliam St, Huddersfield, HD1 5BE - UK
www.prl.co.uk - 01484 538211

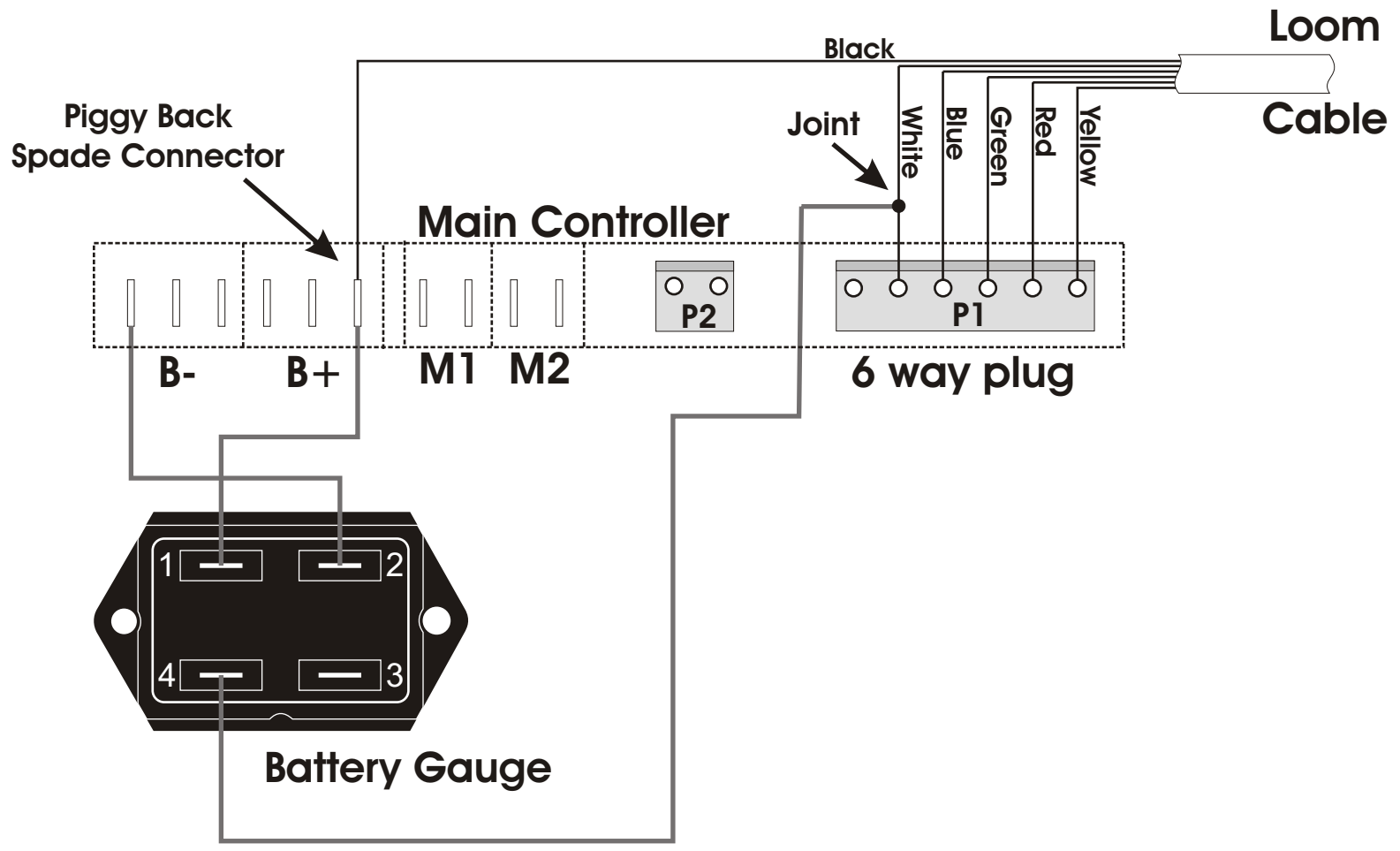
**Older Models Golf Cart
 Loom Connector Diagram**

© Copyright Dec 6 2006
 All rights reserved

Drawn By:
 N C H Beaumont



<p>Pennine Radio Limited 82 Fitzwilliam St, Huddersfield, HD1 5BE - UK www.prl.co.uk - 01484 538211</p>	
<p>Older Models Golf Cart Hand Controller Diagram</p>	
<p>© Copyright Dec 6 2006 All rights reserved</p>	<p>Drawn By: N C H Beaumont</p>



Retro-Fitting the battery Gauge should only be undertaken by a competent Auto-Electrician.

<p>Pennine Radio Limited 82 Fitzwilliam St, Huddersfield, HD1 5BE - UK www.prl.co.uk - 01484 538211</p>	
<p>Older Models Golf Cart Retro-fit Battery Gauge</p>	
<p>© Copyright Dec 8 2006 All rights reserved</p>	<p>Drawn By: N C H Beaumont</p>